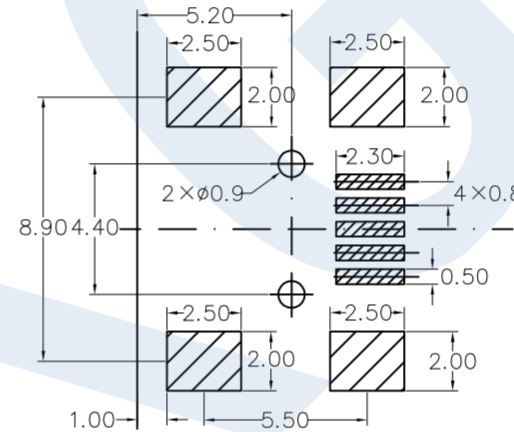
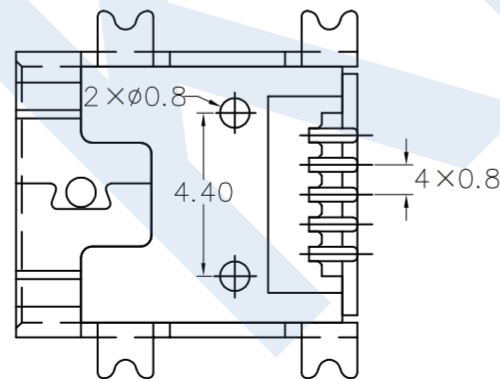
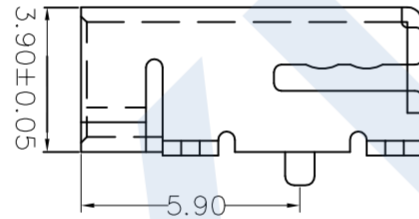
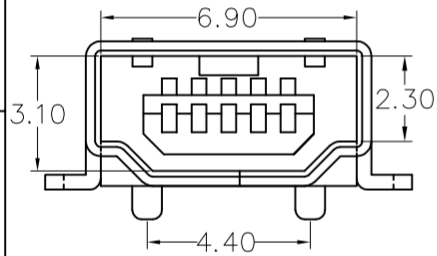
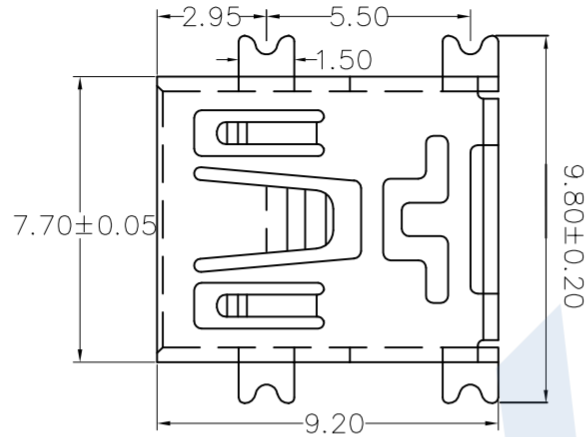


文件类型: 产品图面

REV.	ECN NO.	DESCRIPTION	DRWN	APPD.	DATE.



RECOMMENDED PCB LAYOUT

PCB图仅供参考

原材料Material:

1. 塑胶Housing: Hing Temperature thermoplastics, UL94v-0 LCP Black
2. 端子Contact: Copper Alloy C2680/C5191
3. 外壳Shell: Copper Alloy C2680/SPCC

规格说明Specification:

1. 额定电流Current rating: 1.0A/contact terminal
2. 额定电压Voltage Rating 30V DC
3. 接触阻抗Contact resistance: 30 milliohms MAX
4. 耐压Dielectric Withstanding Voitage 500 V AC For one minute
5. 绝缘阻抗Insulation resistance: 1000MEGA ohms MIN.
6. 插拔力Connector Mate and Unmate
ForceMate force: 3.57kgf (MAX)
Unmate force: 1.02kgf (MIN)
7. 端子保持力: Terminal Retenion 0.5kgf (MIN)
8. 端子电镀Contact Electroplate: Piated Gold in Mating Area; Tin On Solder Talls
9. 外壳电镀Shell Electroplate; Nickel Plating

备注Note:

端子电镀: 01;Au1u"; 03;Au3u"; 05;Au5u"
10;Au10u"; 15;Au15u"; 30;Au30u"
主体颜色: 黑色(灰色LCP料)

UNITS	SCALE					
MM	1:1					
		DR.	TITLE:			
GENERAL TOLERANCE		Lila	MINI USB 5PF A型有柱四脚全贴			
X.	±0.30	CHK.	Loran	DWG NO:		
X.X	±0.20			USB-MG015Y		
X.XX	±0.10	APPD.	DATE:	P	PART NO:	SIZE
X.°	±3°	LIGUIYUAN	2011.06.28			A4
X.X°	±2°					